

IXBYT-35

Intel Bay Trail Processor based Embedded Industrial PC



Features

- CPU: Intel Bay Trail processors
- Memory: 2x Onboard DDR3L up to 4GB
- Display: Dual displays via HDMI, VGA
- Ethernet: 10/100/1000Mbps
- Storage: SATA2.0, mSATA
- Expansion: 1x mini PCIe for WiFi/4G, 1x SIM Slot
- Power: 12V/19V DC input, Phoenix input optional



IoT Solutions
Alliance
Industrial Solution
Builders Specialist

Introduction

The IXBYT-35 is a small form factor embedded industrial PC based on Intel Bay Trail processors. It supports 2xSO-DIMM DDR3L up to 4GB with a TDP rate of 10W. Dual displays via HDMI, VGA with Intel Integrated Graphic. A rich interface includes 2xLAN, 6xCOM, 1xUSB3.2, and 5xUSB2.0 caters to most market requirements.

The IXBYT-35 is fanless and ventless, designed to be used in an industrial environment as an ideal solution. It can withstand harsh environments, features extensive I/O options, with a long lifecycle for sustainable development. It has a low power consumption, great for energy saving, retains the robust design of all Maxtang product lines with cost advantages. Provides a great user experience, increases productivity with stability and reliability.



H/W Monitor



Watchdog

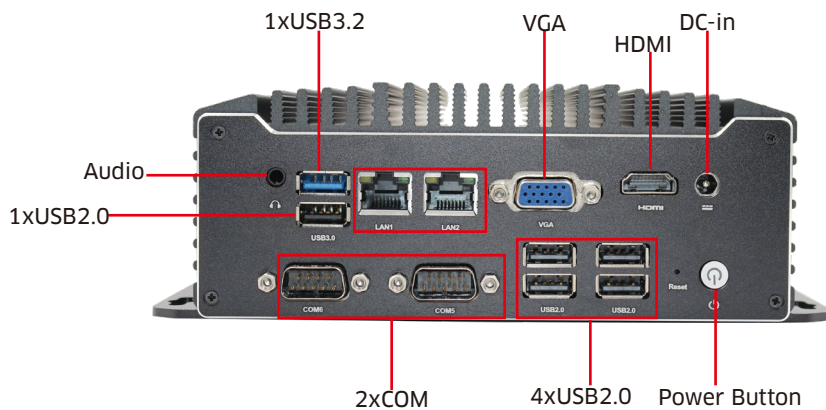


GPIO

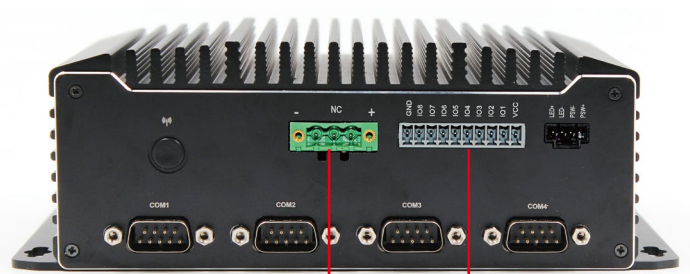


Brightness

I/O Interfaces



COM 1-4
(RS232)



Phoenix (Optional)

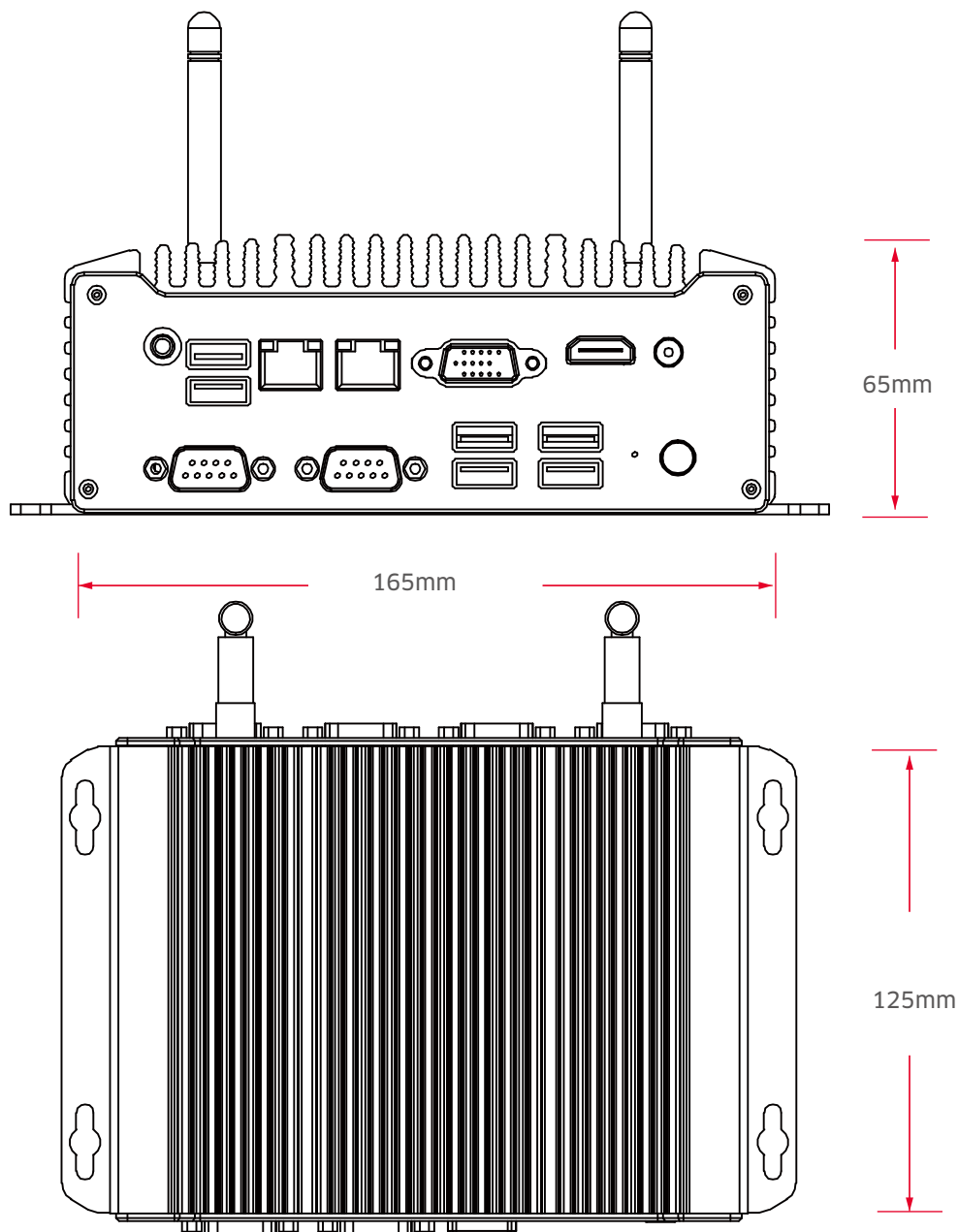
GPIO

Technical Specifications

| | | | | |
|------------------|--|--|----------------------|----------|
| Processor | CPU | J1800 | J1900 | N2940 |
| | Base Frequency | 2.41 GHz | 2.00 GHz | 1.83 GHz |
| | Burst Frequency | 2.58 GHz | 2.42 GHz | 2.52 GHz |
| | Cache | 2MB L2 | 2MB | 2MB |
| | BIOS | AMI UEFI BIOS | | |
| Memory | Type | 2x Onboard DDR3L, Support Dual Channel | | |
| | Max Capacity | 4GB | | |
| Display | GPU | Intel Integrated Graphics based on CPU | | |
| | Display via | HDMI+ VGA | | |
| Ethernet | Speed | 10/100/1000Mbps | | |
| | Controller | intel i211 | | |
| | Interface | RJ45 | | |
| | Wake on LAN | Yes | | |
| Audio | Audio Codec | Realtek HD | | |
| | Interface | 2-in-1 Audio port | | |
| Hardware | System temperature, Onboard voltage, Watchdog, Auto power on | | | |
| Storage | mSATA | 1x mSATA for SSD | | |
| | SATA2.0 | 1x SATA2.0 | | |
| Expansion | mini-PCIe | 1x mini-PCIe for WiFi/4G | | |
| | SIM | 1x Micro SIM | | |
| | eMMC | Optional | | |
| I/O | LAN | 2 | | |
| | COM | 6 (2xRS485+4xRS232) | | |
| | HDMI | 1 | | |
| | VGA | 1 | | |
| | USB2.0 | 5 | | |
| | USB3.2 | 1 | | |
| | Audio | 1 (Line-out+ Mic-in) | | |
| | DC-in | 1 | | |
| | Dimension | Size | 165mm x 125mm x 65mm | |
| Power | Standard port | 12V/19V DC-IN / 4 PIN Power | | |
| | Phoenix port | 12-30V Phoenix input optional | | |
| | Peripheral Input | For Fan and SATA | | |
| | LED Indicator | Power indicator | | |
| Temperature | Operating Temp. | -20°C to 60°C | | |
| | Storage Temp. | -40°C to 80°C | | |
| Cooling | Passive | | | |
| Operating System | Win7/8/10 32/64bit, Linux 32/64 bit | | | |

*All specifications and photos are subject to change without notice.

Dimensions



Copyright ©2018 Maxtang Technology Co., Ltd. All rights reserved. All data is for information purposes only and not guaranteed for legal purposes. Information has been carefully checked and is believed to be accurate however, no responsibility is assumed for inaccuracies. Maxtang and the Maxtang logo and all other trademarks or registered trademarks are the property of their respective owners and are recognized.