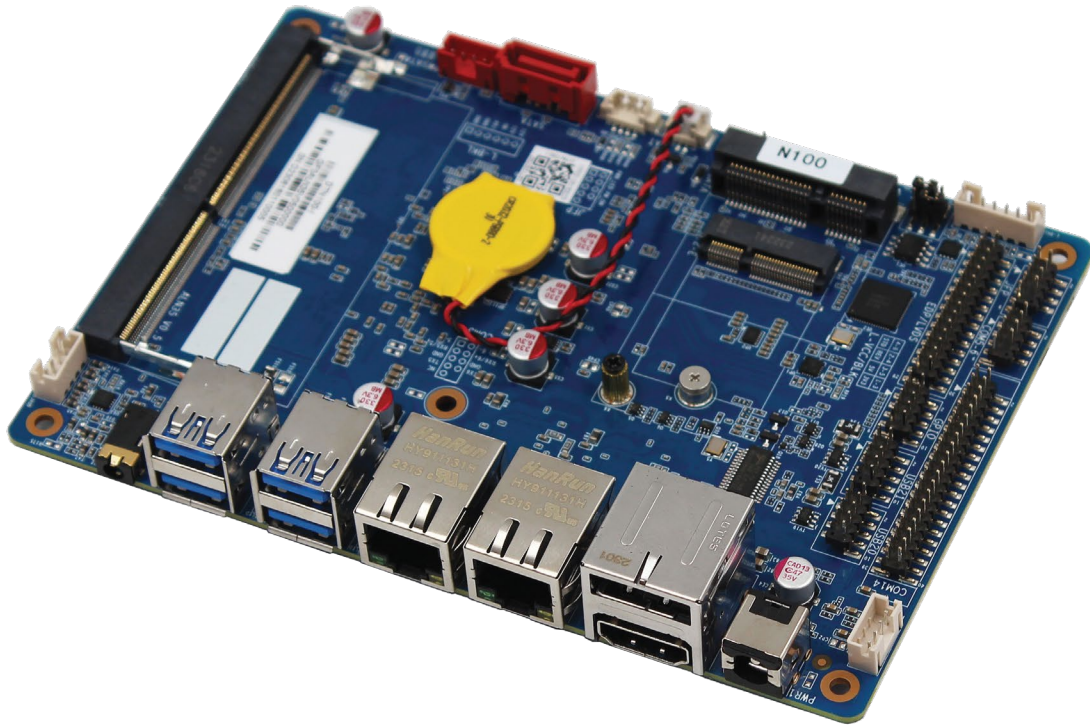


ALN-35

Intel® Alder Lake-N Processor based 3.5" Disk Size Motherboard



Features

- CPU: Intel® Alder Lake-N Processor
- Memory: Single Channel SO-DIMM DDR4 up to 32GB
- Display: Integrated Graphics display via HDMI+DP+eDP/LVDs
- Ethernet: 10/100/1000Mbps (intel i210)
- Storage: mSATA, SATA3.0
- Expansion: 1xM.2 for WiFi
- Power: 12V-35V DC-IN



IoT Solutions
Alliance
Industrial Solution
Builders Specialist

Maxtang[®]

MAXIMIZING YOUR COMPUTING PRODUCTIVITY

Introduction

The Maxtang SBC-ALN35 is a powerful and energy-efficient embedded motherboard designed for industrial applications. It is equipped with an Intel Alder Lake N series processor and supports up to 32GB of single-channel SO-DIMM DDR4 memory, providing enhanced performance and productivity. The board also offers a range of display options, including HDMI, DP plus eDP/LVDS, and features two Intel Ethernet controllers, mSATA and SATA for storage, making it a versatile solution for a variety of applications.

Moreover, the SBC-ALN35 provides a comprehensive input/output interface, including 6xCOM, 4xUSB3.2, 4xUSB2.0, GPIO, and CTIA audio port, making it easy to connect to a wide range of peripherals. The board is designed for stability and reliability and is built with a robust design to withstand harsh industrial environments. As a member of the Intel IoT Solutions Alliance, Maxtang is committed to delivering high-quality products at a competitive price to meet the needs of its customers.

I/O Interfaces



H/W Monitor



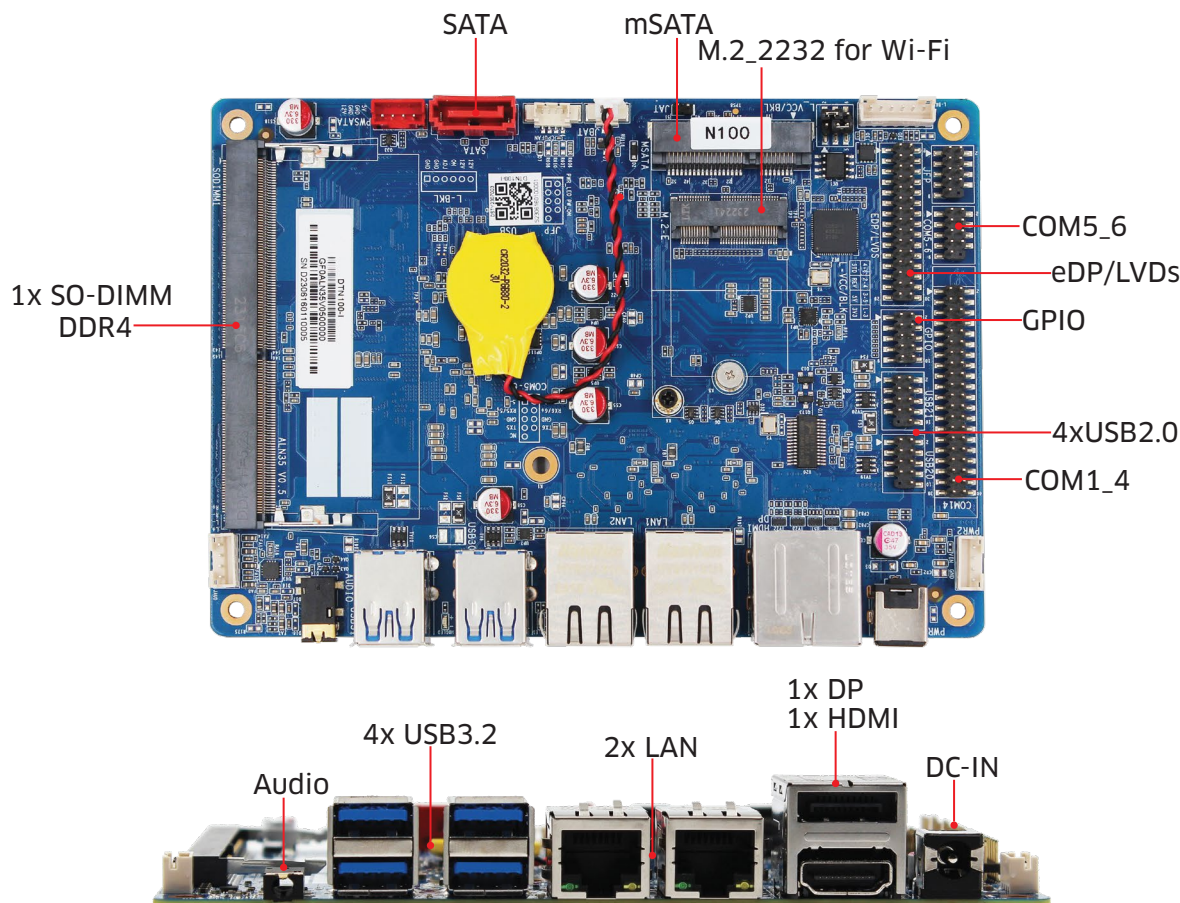
Watchdog



GPIO



Brightness

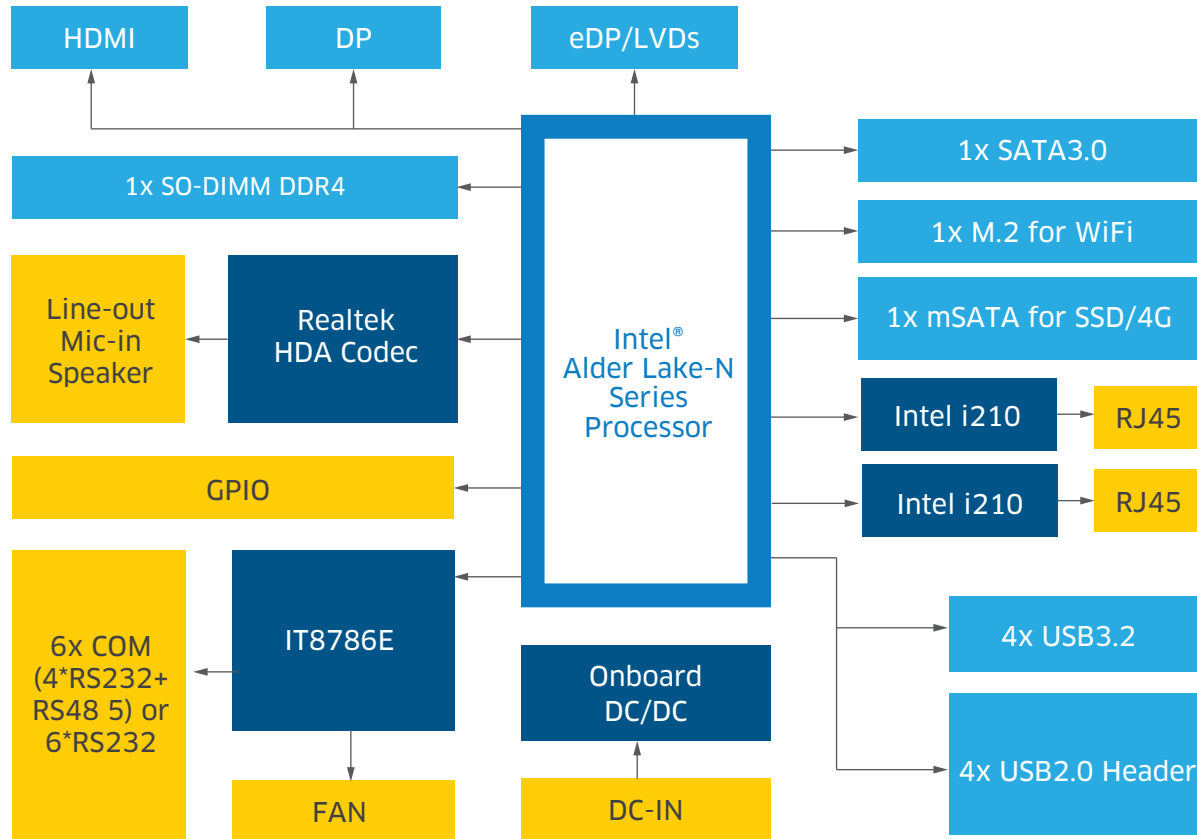


Technical Specifications

Processor	CPU	i3-N305	N100	N97	
	Total Cores/Threads	8C/8T	4C/4T	4C	
	Max Turbo Frequency	3.80GHz	3.40GHz	3.60GHz	
	Intel® Smart Cache	6MB	6MB	6MB	
	TDP	15W	6W	12W	
	BIOS	AMI UEFI BIOS			
Memory	Type	Single Channel SO-DIMM DDR4			
	Max. Capacity	32GB			
Display	GPU	Intel Integrated Graphics based on CPU			
	Display via	1xHDMI2.0 + 1xDP+1x eDP/LVDs			
Ethernet	Speed	10/100/1000Mbps			
	Controller	Intel i210			
	Interface	2xRJ45			
	Wake on LAN	Yes			
Audio	Audio Codec	Realtek HD			
	Interface	1xCTIA Line-out + Mic-in in one, supports power amplifier			
Hardware	CPU system temperature, on-board DC-in voltage, watchdog, auto power on				
Storage	mSATA	1x mSATA for SSD/4G			
	SATA3.0	1x SATA3.0			
Expansion	M.2	1x M.2_E for Wi-Fi, Support CNVi			
I/O Interface	COM	Default: 4*RS232+2*RS485(COM5_6) Optional: 6*RS232			
	USB3.2	4			
	USB2.0	4*header			
	Audio	1xCTIA (Line-out+Mic-in)			
	GPIO	8			
	Dimension	Size	146 mm x 102mm		
		Board Type	3.5" Disk Size SBC		
	Power	Standard Port	12V-35V DC-IN		
		Peripheral Input	For Fan and SATA		
		LED Indicator	Power Indicator		
Temperature	Operating Temp.	-20°C to 60°C			
	Storage Temp.	-40°C to 80°C			
Operating System	Win10/11 64bit, Linux 64bit				

* All specifications and photos are subject to change without notice.

Functional Block Diagram



Copyright © 2023 Maxtang Technology Co., Ltd. All rights reserved. All data is for information purposes only and not guaranteed for legal purposes. Information has been carefully checked and is believed to be accurate however, no responsibility is assumed for inaccuracies. Maxtang and the Maxtang logo and all other trademarks or registered trademarks are the property of their respective owners and are recognized.

Order Information

Model Name	Description
DTN100-I	DT Intel N100 ALN35V05 1DDR4 2LAN(i210) 4*RS232 2*RS485 DP+HDMI+LVDS

*For customized options, please consult regional sales. And please confirm the model name and description before purchasing. *The model name and description might vary due to inventory changes.